

MINI XT & CARAVAN BOILERS



Introducing the CAK Mini Boiler XT® water heater--the intelligent way to deliver more hot water.

This water heater provides the equivalent of 9 litres of hot water in a 6 litre size by heating cold water to a hotter temperature and then mixing it with more cold water through an already installed thermostatic mixing valve on the rear. The result is 50% more hot water! & compact dimensions for easier installation.

NEW MINI 6XT & 10XT H₂O_T WATER HEATERS

Our New XT® Mini Boilers have been developed using eXothermal Technology and the principles of heat exchange to provide an electric water heater delivers 50% more hot water than standard water heaters without an increase in size or weight! XT® Mini Boilers are of a high quality construction with 100% copper water tank, for long term reliability and integrity. The XT® Mini Boilers come with a fully insulated outer case for efficiency enabling the boiler to retain heat for up to 24 hours. Powered by a 230-volt mains electric element of 500 or 750 watts, the Mini 6XT & 10XT will provide sufficient water for even the larger installations. Operating pressure 16-30 psi (1-2 bar), built in 2.5 BAR pressure relief safety valve, Adjustable thermostat set to 80°C max. Adjustable thermostatic mixer valve for water temperature outputs of 45°C to 65°C. Water connections for 15mm push fit, for PVC plumbing use NC448 15mm to 12mm straight reducing barbed connector.

MINI605XT MINI 6XT H2OT WATER HEATER 6 LITRE MAINS 500 WATT

Ultra Compact size of 440mm (17 1/4") long (Inc electric & water connections), 240mm (9 1/2") wide, 235mm (9 1/4") high. Water tank capacity 6 litre. Hot water production capacity 9 Litres approx. Dry weight 5.7kg

MINI1007XT MINI 10XT H2OT WATER HEATER 10 LITRE MAINS 750 WATT

Compact size of 575mm (22 5/8") long (Inc electric & water connections), 240mm (9 1/2") wide, 245mm (9 7/8") high. Water tank capacity 10 litre. Hot water production capacity 15 Litres approx. Dry weight 6.7kg

NEW HEAT EXCHANGER VERSIONS OF MINI 6XT & 10XT WATER HEATERS

New version of water heater with the addition of copper heating coil (Calorifier coil) to connect heat source such as Webasto, Eberspacher or cooling water circuit of engine to provide hot water.

MINI605HE MINI 6XT H2OT WATER HEATER 6 LITRE WITH HEAT EXCHANGER MAINS 750 WATT

MINI1007HE MINI 10XT H2OT WATER HEATER 10 LITRE WITH HEAT EXCHANGER & MAINS 750 WATT ELEMENT

MINI1010HE MINI 10XT H2OT WATER HEATER 10 LITRE WITH HEAT EXCHANGER & MAINS 1000 WATT ELEMENT

CARAVAN BOILER

The C.A.K. Tanks Caravan boiler is manufactured in four 22 litre and three 12 litre horizontal cylinder models with element sizes of 500, 800 and 1200 watts. The caravan boilers come as standard with an adjustable thermostat and a choice of mains electric element sizes of 500, 800 and 1200 watts. The energy efficient design and construction of the Caravan boilers enables quick heat up rates to provide a highly effective source of stored hot water to your pumped domestic water system. The larger 22 litre capacity provides a significant quantity stored water available on tap, the boilers are very simple to install requiring only electrical wiring, positioning and connecting to water system. No need to plumb in a gas system for hot water.

All Caravan models provide high levels of performance and efficiency and are equipped with the following additional standard features,

- Glass lined steel tank for strength & very long life.
- Strong stainless steel mounting saddle and brackets.
- Pressure release safety valve (4 bar + - 1).
- Magnesium anode protects boiler from galvanic currents.
- Boilers tested to 8 (bar) 200 % of operating pressure to ensure safety and product quality.
- High quality outer casing to protect thermally efficient polyurethane insulation jacket.
- Boiler element voltage 230 240 volt 50 hz. (22 litre model also available 110 Volt)

Due to the closed cell polyurethane foam insulation and outer casing the water temperature losses will be less than 1°C per hour. This enables water to be stored and remain warm for a longer period.

- 1, Cold water in 1/2" BSP male 2, Domestic hot water out 1/2" BSP male

PRODUCT SPECIFICATIONS BOILER MODEL	CARAVAN BOILERS						
	CB1205	CB1208	CB1212	CB2205	CB2208	CB2212	CB2211
HEAT EXCHANGER	NO	NO	NO	NO	NO	NO	NO
MAINS ELEMENT WATTS	500W	800W	1200W	500W	800W	1200W	1200W
VOLTAGE	230V	230V	230V	230V	230V	230V	110V
WATER CAPACITY LTR	12	12	12	22	22	22	22
WEIGHT KG	10	10	10	13	13	13	13
MAX LENGTH L1 (mm)	395	395	395	475	475	475	475
CASING LENGTH L2 (mm)	250	250	250	400	400	400	400
FIXING CENTRES L3 (mm)	175	175	175	300	300	300	300

NEW THERMOSTATIC MIXER VALVE FOR NAUTIC AND CARAVAN BOILERS

Our new Thermostatic mixer valve kit is manufactured in plated brass. Suitable for installation directly to the boiler with hose and connectors. The Mixer valve automatically adds cold water to the hot water being drawn from your water heater to prevent scalding water arriving at your tap. Those at greatest risk of scald injury include children, disabled and diabetics.

Temperature Settings – To prevent scalding, regardless of the water heating method or the control devices used; the temperature of the hot water supplied to taps and showers should be controlled in the range of 43°C – 60°C (110°F - 140°F) with fail-safe set at 82°C (180°F). **CAUTION:** Ideally the temperature should be set at 46°C (115°F) for health and safety reasons, higher settings will increase the risk of scald injury. Those at greatest risk of scald injury include children, disabled and diabetics.

BBTMIXV THERMOSTATIC MIXER VALVE FOR NAUTIC AND CARAVAN BOILERS 3/8" BSP

BBTMIXV12 THERMOSTATIC MIXER VALVE FOR NAUTIC AND CARAVAN BOILERS 1/2" BSP

WE NOW OFFER INSTALLATION SERVICE

Ever wish you could have more hot water but didn't want a bigger, bulkier, heavier water heater? Now you can...

H₂O_T

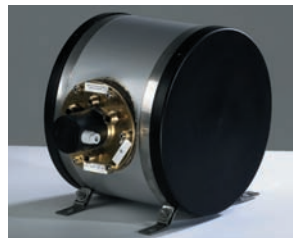
eXothermal Technology XT



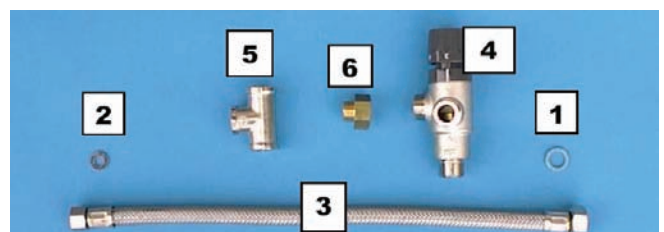
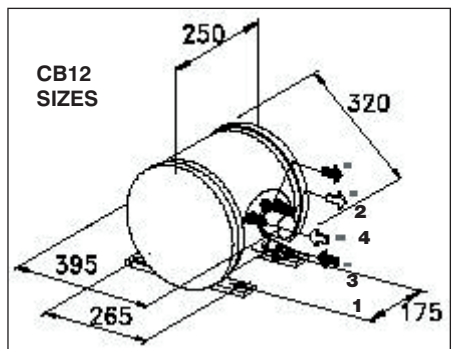
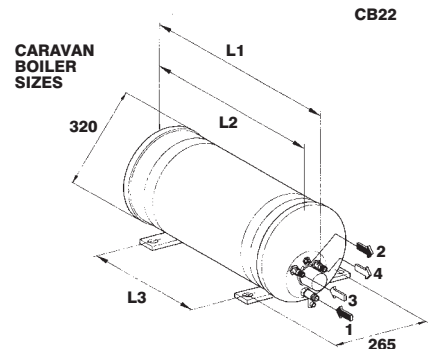
MINI605XT
MINI107XT

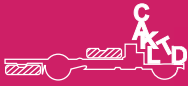


CARAVAN BOILER CB2212



CARAVAN CB12





WHALE WATER & SPACE HEATERS



Heating

NEW Whale Gas & Electric Storage Water Heater HOT WATER FOR LONGER

- **Large 13L capacity hot water tank** – more hot water
- **Choice of settings** – Fast heat up or low current draw
- **Compact design** – Saves space
- **One piece flue** – No cover required
- **Robust Insulation** – Meets grade III EN1645-1
- **3 year Warranty**

Simple to use On/Off switch control functions – One model – 5 settings

Gas only - Electric low setting (600W/2.6A) - Electric high setting (1200W/5.2A) - Gas and electric low - Gas and electric.

Heat up times

Approximate times from 15°C to 70°C	Gas Operation	43 mins
	Electric Operation	38 mins
	Gas & Electric Operation	22 mins

Minimal Wiring – 3 pin plug - Simply plug in so no 230V wiring required.

Board Mounted Mounted on a board for quick and easy installation. The raised position allows pipes and wires to be housed underneath the heater for neat and compact installation

One Control Panel - Includes easy to mount control panel. One 3.5m cable with simple connectors, Simple to use Control Panel.

Quick Connect Plumbing - 12 mm Quick Connect Pre-assembled plumbing with adaptors for other pipework systems included.

Maintenance

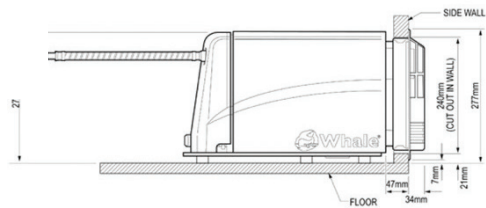
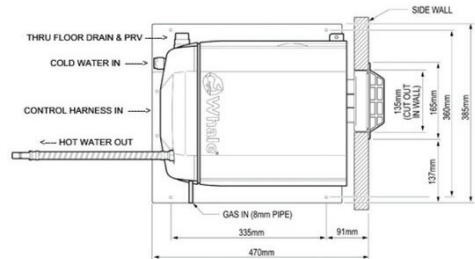
Diagnostics system for easy fault finding and easily accessible components for servicing.

WWH1301 WHALE WATER HEATER GE
WWHAD CARVER FLUE ADAPTOR PLATE

WH1301



WH1301 WATER HEATER DIMENSIONS



NEW WHALE GAS & ELECTRIC SPACE HEATER

For Internal or Underfloor installation

Frost protection setting – To protect your caravan / motorhome in cold weather conditions

Compact design – Frees up valuable storage space – versatile and lightweight weighs only 6.3kg.

Simple to use control panel – 3.5M cable for mounting flexibility - Electronic temperature control – Electric settings 500W/1000W/2000W – Gas setting – Circulation fan setting.

Energy efficient design - requires only 2kW Gas or 2kW electric

Full range of stylish & practical vents and Ducting fittings

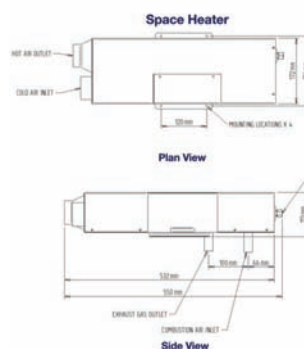
Flue mounting flexibility – Available in various lengths, 0.75m WFK2075, 1.25m WFK2125 & 2.00m WFK2200.

Minimal Wiring – 3 pin plug - Simply plug in so no 230V wiring required.

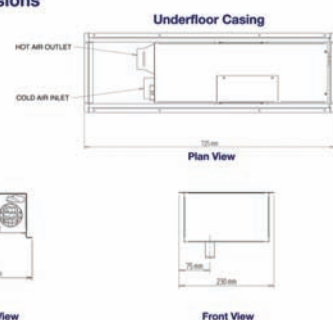
WSH2002 WHALE GAS & ELECTRIC SPACE HEATER
WSH2012 UNDERFLOOR WHALE GAS & ELECTRIC SPACE HEATER

- WFK2075 0.75m FLUE PIPE
- WFK2125 1.25m FLUE PIPE
- WFK2200 2.00m FLUE PIPE
- WDX6501 END BLANK CAP FITTING
- WDX6502 STRAIGHT FITTING
- WDX6503 TEE FITTING
- WDX6504 Y FITTING
- WDX6511 DIRECTIONAL CLOSEABLE OUTLET FITTING
- WDX6516 FIXED OPEN OUTLET FITTING

NEW



Dimensions





MALAGA WATER HEATER



MALAGA MKIII G AND GE 13.5 LITRE STORAGE WATER HEATER

A QUICK AND EFFICIENT SUPPLY OF HOT WATER

The Malaga MKIII is a high capacity storage water heater. The Malaga III heats water with an efficient gas burner, and the GE has the additional benefit of a 750-Watt mains electric immersion element. It can provide a quick and efficient hot water supply for touring caravans, motorhomes boats, horseboxes and specialist vehicles. Its compact dimensions make it most suited to panel van conversions, where its short inward length from sidewall flue ensures it fits most planned cupboard and seatbox sizes.

The Malaga MKIII is designed with many benefits.

- Larger 13.5 litre capacity for longer availability of hot water. (Cascade 9 lt., Jolly 10 lt., and Truma 10 lt.)
- Efficient gas burner - for faster warm up.
- 750Watt element – use it on its own or combined with gas operation for an even faster warm-up. (operates independently of the gas functions so does not need to be connected until you are ready to use mains hook up later in conversion)
- Small flue terminal enables a neat installation.
- Room sealed combustion ensures safe operation.
- Easy to fit and service, all connections and circuit board are on the rear of the unit.
- All gas functions and 12volt electronic ignition is controlled by remote wall switch. New microprocessor electronic control, which has zero power consumption when idle, turns on the heater at the flick of a switch and supervises burner operation.
- Resettable high temperature thermal cut out, to ensure safety, just press a button to reset.

Will require fused water heater switch rated at 5 amp to control the mains element. Use CBE MCNF/G (on page 84) this matches the modular plates range of electrical switches.

The heater will operate with microswitched and pressurised water systems. The best pump to match with the Malaga is the Shurflo Trailking 7 16psi automatic pressure switched self priming diaphragm pump

MALWH MALAGA MKIII G 12V GAS ONLY

MALGE MALAGA MKII GE 12V GAS + MAINS ELECTRIC 750W ELEMENT

INSTALLATION REQUIREMENTS

- The heater should be floor mounted or suitably supported on a plinth
- The flue is designed to pass through a vertical section of the wall, structural sections of which should not be damaged.
- The flue terminal position should not be closer than 300mm below an opening window or 600mm from a vertical corner.
- Clearances required for installation and servicing as seen from inside the installation.

Left hand side	240mm	Right hand side	5mm
Rear	100mm	Top	5mm

TECHNICAL DATA

Dimensions	H 255mm	W 325mm	D 455mm
Weight empty			9.3 KG
Water capacity			13.5 LITRES
Water temperature thermostat			70°C
Overheat safety thermostat			90°C
Pressure relief valve setting			3 BAR
Maximum working pressure			2 BAR
Maximum pump supply pressure			1.3 BAR
Gas supply			
Heat input			1.15 kW
Gas consumption			84 g/h
Gas supply pressure		Propane	37 mbar
		Butane	28 mbar
		Mixtures	30 mbar
		Bray	960/40
Injector			
Gas connection			8 mm PIPE
Electrical supply (control)			12 V DC
Mains immersion element		Input	750 WATT
Mains electricity supply			220-240 V AC 50 Hz 5A FUSE

THE MALAGA WATER HEATER RANGE IS CE APPROVED

The Malaga water heater has been tested and comply with the following: 90/396/EEC gas appliance directive, 89.336/EEC EMC directive, 73/23EEC low voltage directive. It is manufactured under ISO 9001:2000 plus annex 11.3 gas directive 90/396EEC.

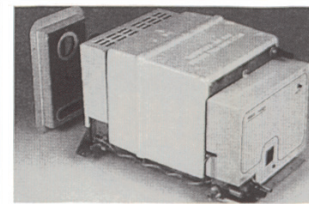
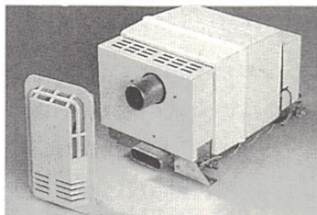
FLUE ADAPTOR PLATE FOR REPLACING CARVER CASCADE WITH MALAGA WATER HEATER

New product to enable easy replacement of the old Carver Cascade which is no longer in production. Enables you to upgrade to a larger capacity water heater without major surgery to the outside wall. The adaptor plate uses existing holes and covers up the existing sealant area leaving a neat finish with the Malaga flue terminal fitted to the adaptor plate

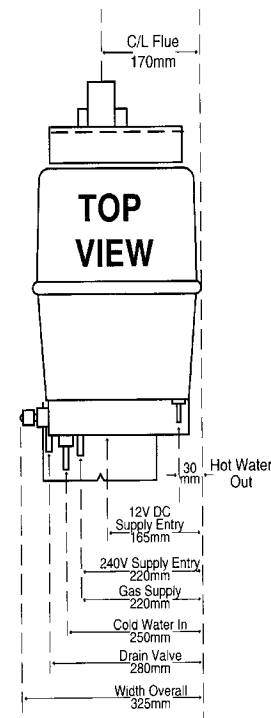
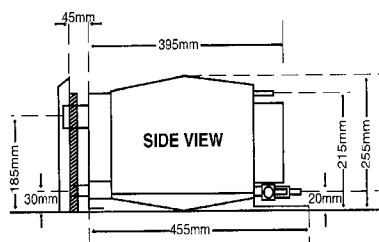
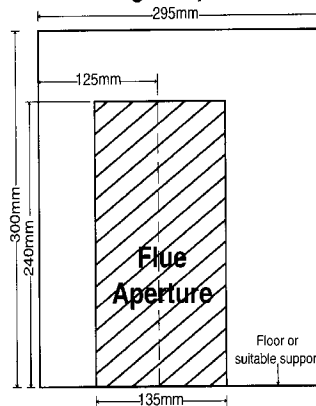
MALAD FLUE ADAPTOR PLATE

IMPORTANT NOTE ALL GAS APPLIANCES MUST BE INSTALLED BY A QUALIFIED GAS ENGINEER. IF APPLIANCE IS DIY INSTALLED THE GAS INSTALLATION MUST BE INSPECTED FOR SAFETY BY A COMPETENT PERSON BEFORE USE.

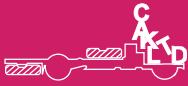
WE NOW OFFER INSTALLATION SERVICE



Flue Fixing Template Details



1. Malaga Flue Terminal
2. Flue adaptor plate (optional)



HEATSOURCE BLOWN AIR CLIMATE CONTROL



Heating

The Heatsource 2000 & 2800 are automatic, thermostatically controlled blown air heating systems fuelled by Propane or Butane gas. Heatsource is designed for a variety of automotive and marine applications as a source of heat totally independent of the engine.

Combustion is of the forced air type, using a fan to draw air from the outside. This is then passed into the combustion chamber, where it mixes with gas and is automatically ignited by a spark. Gas is switched electronically with a solenoid valve, the flow controlled by a jet and the spark supplied by a high voltage ignitor housed within the heater. **Optional Digital timer available.**

Due to the design and efficiency of the stainless steel burner and heat exchanger, output is high, combustion is clean and all waste products are exhausted externally. Cabin air is usually re-circulated and drawn via the main fan, passed over the three surfaces of the heat exchanger and blown into the cabin through ducting and hot air outlets. Cabin air is totally sealed from exhaust gases. The unit is a room-sealed appliance and operates on propane or butane gas. Comprehensive installation kits supplied with each heater are listed below. Marine kits include combined inlet & exhaust through hull skin fitting.

- Compact size high output heater.**
- One of the quietest combustion heaters in production.**
- Designed for reliable, maintenance free operation.**
- Fast warm up time.**
- Airflow sensing detects blocked or restricted flue pipes.**
- Self-diagnostic fault finding with LED indication.**

ECONOMY	Heatsource 2000	Heatsource 2800
Average consumption	140 grams / hour	225 grams / hour
Calor 3.9 kg Propane	28.0 hours	17.5 hours
Calor 4.5 kg Butane	32.0 hours	20.0 hours
Calor 7 kg Butane	50.0 hours	31 hours
Calor 6 kg Propane	42.5 hours	26.5 hours
Calor 13 kg Propane	93.0 hours	58.0 hours
Calor 15.kg Butane	107.0 hours	67 hours
Calor Gaz 2.72 kg Butane	19.5 hours	12 hours

PROPEX HEATSOURCE GAS BLOWN AIR HEATERS 2.0 & 2.8 kW

Blown air heaters offering 2.0 kW output running on 12 volt consume only 1.4 amps continuous running, gas usage only 140 grams per hour. Airflow 55 CFM. The 2.8 kW heaters running on 12 volt consume only 1.9 amps continuous and has gas usage of 225 grams per hour. **The 2.8kW heater is 420mm long x 210mm wide x 120mm high. Air throughput is 85 CFM.**

HEATSOURCE ONE OUTLET KIT CONTENTS

Heatsource 2000w or 2800w heater - Thermostatic wall control with harness. - DC power harness. - 1 x Hot air outlet directional. - 1 m of Hot air ducting - 1 x Recirculation air vent - 0.2m Combustion air pipe. - 1m of Heater exhaust pipe. - 1 kit of fastenings.

- PX20112 PROPEX 2000 ONE OUTLET KIT 12 VOLTS
- PX20124 PROPEX 2000 ONE OUTLET KIT 24 VOLTS
- PX28112 PROPEX 2800 ONE OUTLET KIT 12 VOLTS
- PX28124 PROPEX 2800 ONE OUTLET KIT 24 VOLTS

HEATSOURCE 2 OUTLET KIT CONTENTS

Heatsource 2000w or 2800w heater - Thermostatic wall control with harness - DC power harness - 1 x Hot air outlet directional - 2 m Hot air ducting - 1 x open close air vent - 1 x Y piece - 1 x Recirculation air vent - 0.2m Combustion air pipe - 1m Heater exhaust pipe - 1 kit of fastenings.

- PX20212 PROPEX 2000 TWO OUTLETS KIT 12 VOLTS
- PX28212 PROPEX 2800 TWO OUTLETS KIT 12 VOLTS

MARINE KIT CONTENTS

The kit contents are the same as PX20112/212 and PX28112/212 with the addition of a combined stainless steel marine combustion air inlet & exhaust thru hull flue terminal. Also increase to 1 m of combustion air pipe.

- PX20112M PROPEX 2000 MARINE ONE OUTLET KIT 12 VOLTS
- PX20212M PROPEX 2000 MARINE TWO OUTLETS KIT 12 VOLTS
- PX28112M PROPEX 2800 MARINE ONE OUTLET KIT 12 VOLTS
- PX28212M PROPEX 2800 MARINE TWO OUTLETS KIT 12 VOLTS

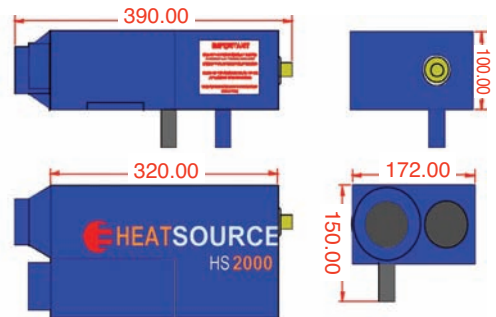
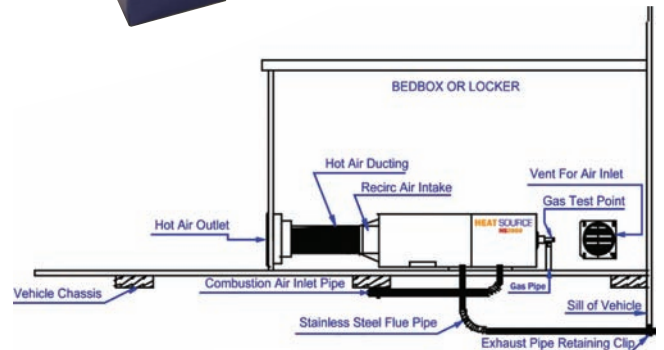
SPARE PARTS

- PXSOCLOUT PROPEX OPEN / CLOSEABLE DIRECTIONAL AIR VENT
- PXSOUT PROPEX OPEN LOUVRED AIR VENT
- PXS80Y PROPEX 80MM Y BRANCHE (REQUIRES REDUCERS)
- PXS8060RED PROPEX 80MM TO 60MM REDUCER
- PXS60DUCT PROPEX 60MM BLOWN AIR DUCT PER METRE

NEW PROPEX HEATSOURCE GAS & ELECTRIC AIR HEATERS

2.0Kw gas fired heater with the addition of a variable mains element with efficient heat exchanger built in. Three settings are available giving 500W, 1 KW or 2 KW of heat output and drawing a maximum current of 9 Amps. The motor speed is altered to suit each power level to ensure maximum efficiency or, when on low 500w setting keeping motor and air noise to a minimum for night time running.

- PX20112GE PROPEX 2000E GAS ELECTRIC ONE OUTLET KIT
- PX20212GE PROPEX 2000E GAS ELECTRIC TWO OUTLET KIT



MARINE FLUE

PXF0CLOUT

PXFOUT



HEAT SOURCE GAS AND BLOWN AIR HEATER

WE NOW OFFER INSTALLATION SERVICE



0844 414 2324



0844 414 2425



WEBASTO DIESEL & AUXILIARY HEATING



Heating

WEBASTO DIESEL/PETROL FIRED BLOWN AIR & SUPPLEMENTARY WATER HEATERS.

Regardless of the type of vehicle you use, webasto diesel powered heaters will meet all your needs.

- Easy to install maintain and operate.
- Economical to run, quiet operation.
- Powered from the vehicle's own fuel tank.
- Available as a comprehensive installation kit.
- Lower power consumption than comparable gas-powered blown air heaters.

AIRTOP BLOWN AIR HEATERS

The webasto Airtop heater range now comes with a RV kit. Specifically designed for the Motorhome, Caravan, Horsebox & Specialist vehicle use, the RV kit is comprehensive. The Universal kit includes Airtop heater 12 volt and main electrical harness, Fuel pump, Fuel pipe & fuel pump wiring harness, 5 x 8 x 5mm fuel tee piece and connectors, 1m of exhaust duct, clamps & exhaust silencer, combustion air intake pipe, installation instructions & fastenings. The blown air output ducting and vents, if required, must be ordered separately.

The RV kit has all the components of a universal kit with the addition of remote temperature sensor probe, rotary controller & floor mounting plate. The blown air output ducting and vents, if required, must be ordered separately.

- WBDA201** Airtop 2000 (2 kw) 12v one outlet universal kit
- WBDA201RV** Airtop 2000RV kit (2 kw) 12v no ducting or vents
- WBDA39** Airtop 3900 EVO kit (3.5 kw) 12v no duct or exhaust pipe
- WBDA50** Airtop 5500 EVO (5 kw) 12v kit no ducting or vents
- WBDACT** Combi timer upgrade with harness for airtop 2000 RV
- WBS1** 55 mm warm air ducting / metre
- WBS2** 55 mm warm air ducting clips
- WBS3** 55 mm warm air outlet
- WBS4** 55 mm warm air ducting Y piece
- WBFSP** Fuel pick up stand pipe (only with heater orders)

THERMOTOP SUPPLEMENTARY HEAT SOURCE WATER HEATERS

If you want to be able to pre-warm the engine and heat water for domestic use as well as heat the interior of the vehicle, simply integrate a water heater into the coolant system. The unit works like a central heating system, warming up the coolant in the vehicle, passing it through the relevant heating system (calorifier, auxiliary blower or radiator) and then on to the engine. The temperature inside the vehicle is adjustable, and the warmth is distributed via the vehicle's own ventilation system or additional auxiliary blowers. What's more a pre-warmed engine prevents environmentally damaging cold starts and saves fuel. With their waterproof design, webasto heating systems can be installed almost anywhere in the vehicle.

Installation of Thermo top kits will provide the heat source for radiators & auxiliary blown air heaters. For your kitchen and shower hot water needs the Nautic and Nautic XT calorifier water heaters (P122) will be heated by the Webasto or can be heated by their integrated electric immersion heaters when on site electric hook up.

- WBDTTE** Thermo top E 4kw 12v universal kit
- WBDTTC** Thermo top C 5kw 12v universal kit
- WBWS** Webasto rotary on/off switch
- WBFSP** Fuel pick up stand pipe (only with heater orders)

WBX100 WEBASTO X100 CERAN® DIESEL COOKTOP

The Webasto Diesel Cooker X100 will be of particular interest for those who intend to have only one fuel on board. Individualists will appreciate the usage of Diesel to cook during trips in the great outdoors.

The combustion of the diesel fuel creates heat which is conducted to a CERAN® cooking plate. The ceramic cooktop can be used with one cooking stove top and one for keeping meals warm (or warming up).

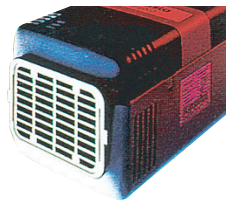
- 1,9 kW cooking power
- Using diesel out of vehicles fuel tank
- Very elegant look due to CERAN® cooktop
- Easy to clean
- Altitude switch for usage in heights above 1500 m
- Warning light indicates hot CERAN® plate

WEBASTO DUALTOP COMBI AIR WATER HEATER

The Dual Top will heat up both, your cabin and your domestic hot water. With up to 1.2 kW additional heating power (101 model only) due to the electrical coil the Dual Top can also be operated via the 230 V connection. This heater can be mounted underneath the vehicle, in the double floor as well as inside the motorhome. The boiler is automatically drained at frost temperatures when heater is switched off. Standard 100 model diesel only version without electric supplied with standard control. Dual Top 101 model is delivered with a digital wall control.

- 6 kW Diesel heating power (+1,2 kW electrical coil with 101 model)
- Integral 11litre hot water boiler with up to 70oC hot water.
- Using diesel directly from vehicles fuel tank
- Can be operated with 230 V connection
- Two simple frost protection systems
- Easy boiler drainage

- WBRHA-100** Dual top standard Diesel only- standard control
- WBRHA-101** Dual top Diesel - Electric power - digital wall control



Air Top 2000:

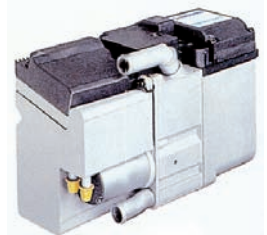
The smallest air heater on the market, and so quiet you'll hardly know it's there. Ceramic technology and optimum cost-effectiveness make this the most powerful heater in its class. Thermostat as standard.



Air Top 3500 / Air Top 5000:

Powerful, continuously adjustable temperature, compact and quiet, this heater is suitable for extreme conditions and will meet the highest demands. It saves space and can be installed easily in the cab or in the rear.

Thermotop C:
The latest ceramic technology delivers maximum reliability, while high heat output, low power consumption and low fuel consumption make this a comfortable and cost-effective investment



RADIATORS FOR AUXILIARY WEBASTO HEATERS

Aluminium finned tube radiators approx. 75mm square various lengths available. Output 400 watts per metre.

- AXRAD400** RADIATOR 400 MM
- AXRAD700** RADIATOR 700 MM
- AXRAD1000** RADIATOR 1000 MM



WEBASTO WBX100 DIESEL COOKTOP



DUALTOP 101 DIGITAL WALL CONTROL



DUALTOP 100 STANDARD WALL CONTROL

WBRHA-101
DUALTOP COMBI BLOWN AIR & WATER HEATER



MUST BE INSTALLED BY A QUALIFIED FITTER
WE NOW OFFER INSTALLATION SERVICE





ELECTRIC AIR HEATER, BLOWN AIR DUCTING & GAS ACCESSORIES



Heating

PORTABLE LOW WATTAGE ELECTRIC CONVECTION HEATER

IGLOO 500 HEATER

This compact 500w electric convection heater is ideal for heating leisure vehicles while on 240v hook-up, or low heat while unit is in winter storage. It is also useful as a conservatory, greenhouse, summer house, site hut, aviary or garage heater. Heater is supplied with wall mounting bracket, and is easily unhooked to be stored away for extra space in the summer. It is of compact size with built in thermostatic control. Must be fixed to a wall. Not to be used as a free-standing heater.

SIZES: HEIGHT 380mm, WIDTH 160mm, and DEPTH 110mm.

EHIGLOO IGLOO 500W 230V CONVECTOR SPACE HEATER.



TEB2



BLOWN AIR FANS

Simply fitted to most convection heaters, they are designed to supplement the convection heating process by directing heat to colder areas to equalise the heating effectiveness. Set up the blown air system by using a mix of the below connectors and outlets to suit the need of your particular installation.

TEB2 TRUMA TEB 12 VOLT FAN WITH REMOTE WALL CONTROL

TRUMA AWNING KIT

New kit to allow easy provision of warm air into the awning. Complete with exterior terminal ducting, connectors and remote shut off.

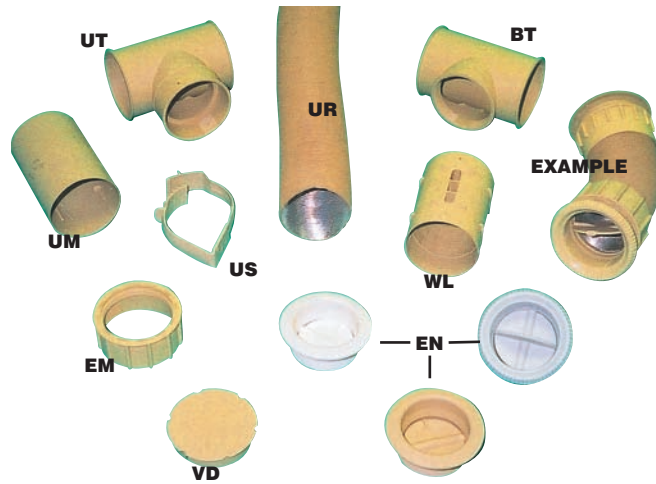
G-AWNKIT TRUMA AWNING KIT BLOWN AIR EXTENSION KIT



BLOWN AIR DUCTING AND FITTINGS.

The industry standard ducting and fittings used on most installations. The Truma blown air fittings will inter change with the older Carver system in all cases. The range of fittings allows simple installation of extensions to existing systems or the addition of a new system with a Truma TEB2 fan and a range of duct and fittings. The new design fittings are all grey behind the fascia apart from air outlets where there is a choice of colour.

- G-BT** BT SIDE OUTLET (REQUIRES EN AIR OUTLET)
- G-DR** DR WATERPROOF OVERDUCT / MTR
- G-EN** EN STRAIGHT AIR OUTLET BEIGE
- G-ENG** EN STRAIGHT AIR OUTLET LIGHT GREY
- G-ENW** EN STRAIGHT AIR OUTLET WHITE
- G-EM** EM NUT FOR EN TO MAKE END OUTLET
- G-SP** BRANCH PIPE SHUT OFF VALVE
- G-UM** UM STRAIGHT CONNECTOR FOR UR DUCT
- G-UR** UR DUCTING 65mm OD / MTR
- G-US** US CLIPS FOR UR DUCTING
- G-UT** UT TEE PIECE FOR UR DUCT
- G-VD** VD BLANKING PLUG
- G-WL** WL WALL VENTILATOR
- G-Y** Y PIECE FOR UR DUCTING



ELHPTC30012 12VOLT 300W CERAMIC HEATER



AUXILIARY BLOWN AIR HEATERS

Link into webasto thermosystems for blown air heat output, or recover waste heat from the engine's cooling system via the units highly efficient heat exchanger. To provide just the right amount of blown air warmth to the cabin some units have a 3 speed fan. Ideal for inland boats, A class conversions for window demist, minibuses, PSV's, campers, special vehicle cabs and kit cars. When matched up with a thermal source such as a Webasto Thermo Top C diesel heater they provide blown air heating wherever required.

COMPACT REMOTE AUXILIARY BLOWN AIR HEATERS

The heat exchanger is made from copper with aluminium radial fins, moulded ABS outer casing and tough ABS motor casing. The 'R' heaters have provision for 60mm hose duct outlets, to suit ur duct and matching ducting fittings. 'RP' have adjustable diffusers in fascia panel.

260 models 12V / 5 A, heat output 3.5 kW, air flow 170 m3 / hour.

AXSR260 SIROCCO 260 HEATER FOR 2 X UR DUCT CONNECTIONS
AXSRP261 SIROCCO 261 HEATER & BUILT IN FASCIA 400mm X 180mm COMES WITH FAN SWITCH, WATER TEMPERATURE VALVE CONTROL & 2 DIRECTIONAL AIR DIFFUSERS.

AXSRP263 SIROCCO 263 HEATER WITH 2 AIR DIFFUSER OUTLETS
AXSRP265 SIROCCO 265 HEATER & SMALLER BUILT IN FASCIA WITH HEAT LEVEL & 3 SPEED FAN CONTROLS AND FIXED AIR DIFFUSER 269mm X 198 mm.

AXSRSW 3 POSITION FAN SPEED ROTARY SELECTOR SWITCH.
AXS271 WCV WATER FLOW VALVE TO ADJUST TEMPERATURE
AXS273 5/8" (16 mm) HEATER HOSE REINFORCED RUBBER HOSE PER MTR

AXS274 5/8" (16 mm) metal T PIECE FOR SYSTEM CONNECTION



0844 414 2324



0844 414 2425