

NEW LIGHTWEIGHT FURNITURE BOARD

When fitting out the furniture for the interior you require quality panels that look good, are impact resistant, but do not add excessive weight. Our lightweight ilomba faced plywood decorated with a durable hard face laminate weigh only 20Kg per board (based on 8' x 4' 15mm sheets).

Furniture board is available in 8' x 4' sheets 15mm veneered both sides and 3mm veneered one side. We also have a range of shower/wall board in various colours 8' x 4' sheets 3mm thick. We also have in stock plain poplar or far eastern ply in 3mm & other thicknesses.

15MM BOARD DOUBLE FACED

- FBD1584PUT 15mm Double sided Putinella
- FBD1584TNM 15mm Double sided Titanium
- FBD1584WAL 15mm Double sided Walnut
- FBD1584BCH 15mm Double sided Beech
- FBD1584OAK 15mm Double sided Oak
- FBD1584MPL 15mm Double sided Maple
- FBD1584BRG 15mm Double sided Bright Grey
- ALB1584CHY 15mm Double sided Alabaster

3MM BOARD SINGLE FACED

- FBD0384PUT 3mm Single sided Putinella
- FBD0384TNM 3mm Single sided Titanium
- FBD0384WAL 3mm Single sided Walnut
- FBD0384BCH 3mm Single sided Beech
- FBD0384OAK 3mm Single sided Oak
- FBD0384MPL 3mm Single sided Maple
- FBD0384BRG 3mm Single sided Bright Grey
- FBD0384CHY 3mm Single sided Cherry

3MM WALLBOARD SINGLE FACED

- FBD0384STL 3mm Single sided Stella

3MM LIGHTWEIGHT PVC WALLBOARD

- FBD0384WHT 3mm Lightweight PVC wall board ideal for showers being totally waterproof & easy to clean

We have various matching iron on pre glued edging, Knock in T section, PVC Corner profiles, edges profiles and wood effect veneer wrapped MDF mouldings. Please check for current stock availability.

NEW ARBOUR BEARING AND SLOTTER TOOLS

For grooving and milling of the slots for the T edging using a router with 6mm collet.

- FBTRAB33606 6mm ARBOUR FOR SLOTTER CUTTER
- FBTRSLTE SLOTTER CUTTER
- FBTRBRG26 26MM CENTRE BEARING FOR SLOTTER

NEW SLOT CUTTING GUIDE FOR ELECTRIC DRILL

FBWCSLCG Slot Cutting Guide for electric drills. For grooving and milling of the slots for the edging. With slot cutter for T edging.

NEW HARDWOOD BED SLATS

• High strength beech slats as used by all the leading manufacturers. 53 X 8 MM profile.

- FBSL443 53 x 8mm slat 443 mm long
- FBSL585 53 x 8mm slat 585 mm long
- FBSL650 53 x 8mm slat 650 mm long

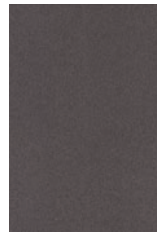
NEW HINGED SPRING UP FLAP BRACKET TSMN280

- Screw fixing • Suitable for extending tables and worktops
- For horizontal installation • Load carrying capacity up to 30 kg per pair
- Yellow chromatised steel

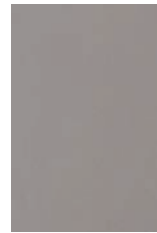
NEW PIANO HINGES

Nickel-plated steel hinge 2mtrs long.

- FFPNH252 25mm open (2 x 12.5mm leaves)
- FFPNH322 32mm open (2 x 16mm leaves)



Putinella



Titanium



Walnut



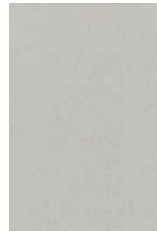
Beech



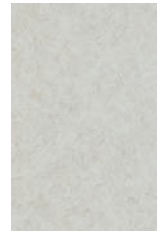
Oak



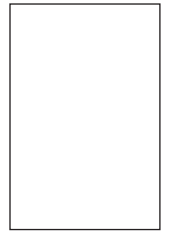
Walnut



Bright Grey



Stella Wallboard



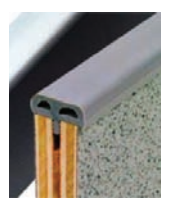
WHITE UPVC SHOWER WALL BOARD



Single lip T edge profile



Locker door edge profile



Soft table edge



PRE GLUED IRON ON EDGING



SLOT CUTTING GUIDE



HARDWOOD BED SLATS



SLOT CUTTER TOOLING



New Piano Hinge



TSMN280

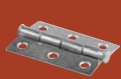


NEW Matt Nickel Finish Bow Handle 96mm hole centres, 141mm length, 29mm high & 20mm wide. FFBWH141



NEW Bar Handle 12mm diameter 156mm long M4 mounting holes @ 96mm centres. Steel handle with stainless steel effect finish. Requires M4 handle screws to suit board thickness FFBH156





PUSH BUTTON DOOR CATCHES

PUSH BUTTON DOOR LOCKS

Neat easy to fit push button lock. Press button to unlock, knob extends and door can be opened, Close door and push button until flush, catch clicks door is now locked and button stays Flush. When pressed home, the knob forms an attractive flush finish with the cupboard door. The push button lock is very easy to use and very reliable in operation.

The locks comprise of push-button lock case, rosette and push button. After locating the required lock position, a 26mm hole is drilled in the door. The push button lock case is fixed to the inside of the door by way of two screws through the casing tabs. The rosette is pushed Tight into the hole from outside, the knob is screwed on tight to the lock pin. The installation of just the push button lock case is suitable for all smaller cupboard and overhead locker doors. For larger doors such as wardrobes and toilet compartment doors the addition of a **hook rod set** is essential. This provides a three point locking set up to ensure the door is held tight. The three point locking will cut out the rattling of the door against the Frame, thereby making for a quieter journey.

SINGLE SIDED PUSH BUTTON LOCKS

Single sided button for cupboards and overhead lockers, Lock kit includes lock case, knob, rosette and striking plate. For use on long doors wardrobes etc add a **Hook Rod Set**. To fit a Hook Rod Set add **H** to the end of the lock order code (i.e. **FPLSBH**) to order lock with locating holes, then order the quantity of Hook Rod Sets required below.

- FPLSB** BROWN BUTTON SINGLE PUSH-LOCK (BROWN LOCK CASE)
- FPLSG** LIGHT GREY BUTTON SINGLE PUSH-LOCK (WHITE LOCK CASE)
- FPLSD** GOLD BUTTON SINGLE PUSH-LOCK (BROWN LOCK CASE)
- FPLSN** MATT NICKEL BUTTON SINGLE PUSH-LOCK (BROWN LOCK CASE)
- FPLSW** WHITE BUTTON SINGLE PUSH-LOCK (WHITE LOCK CASE)

DOUBLE SIDED PUSH BUTTON LOCKS

Double sided button for toilet/ bathroom where lock needs to be operated from both sides, for use on long doors add a Hook rod set. Kit includes: lock case, 1 x inner knob, 1x knob and rosette to colour and striking plate. The inner knob is supplied the same colour as the lock case.

- FPLDB** BROWN OUTSIDE BUTTON DOUBLE PUSH-LOCK (BROWN LOCK CASE)
- FPLDG** LIGHT GREY OUTSIDE BUTTON DOUBLE PUSH-LOCK (WHITE LOCK CASE)
- FPLDD** GOLD OUTSIDE BUTTON DOUBLE PUSH-LOCK (BROWN LOCK CASE)
- FPLDN** MATT NICKEL OUTSIDE BUTTON DOUBLE PUSH-LOCK (BROWN LOCK CASE)
- FPLDW** WHITE OUTSIDE BUTTON DOUBLE PUSH-LOCK (WHITE LOCK CASE)

HOOK ROD SETS

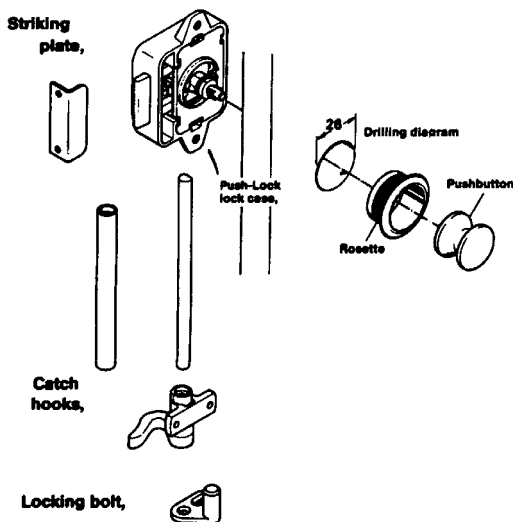
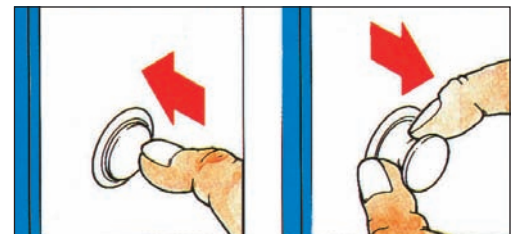
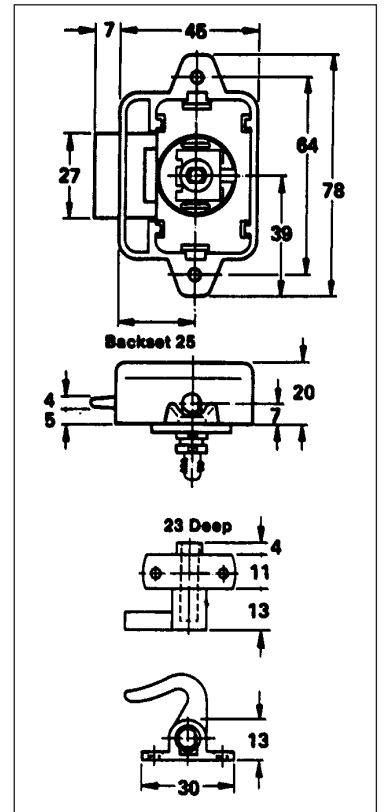
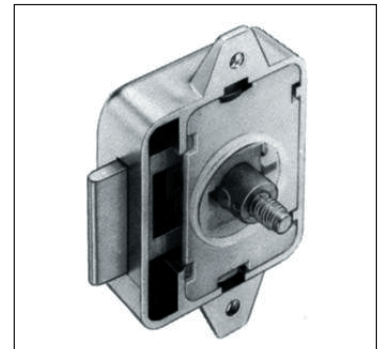
Hook rods are added to provide 3 point locking of larger doors (wardrobes and washrooms etc.) to reduce vibration noise and secure door more firmly. Kit includes: 2 x catch hooks, 2 x 1000 mm rods with PVC over sleeve tubes and 2 x locking bolts. Rods and over sleeves can cut down to size.

- FPLHRB** HOOK ROD SET 2 x RODS + BROWN PVC OVER SLEEVE, 2 x LOCK BOLTS & CATCH HOOKS

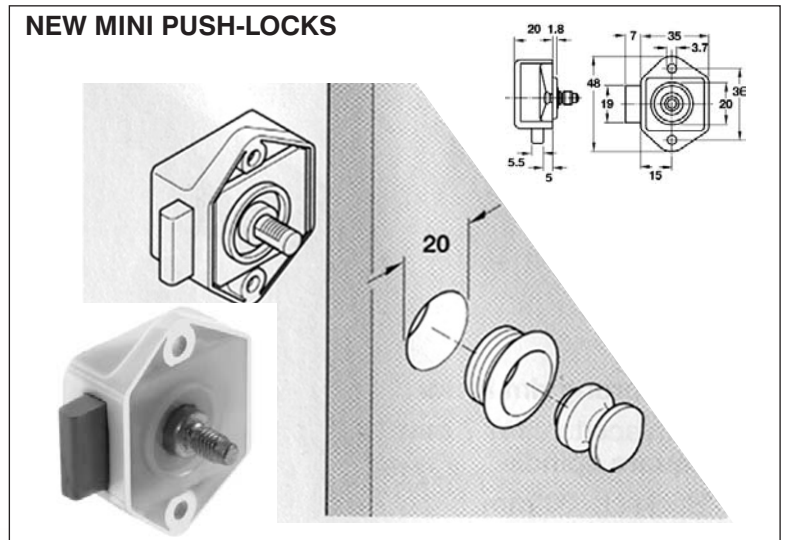
MINI PUSH BUTTON LOCKS

New mini single button push lock for small cupboards and overhead lockers

- FPLMD** GOLD BUTTON MINI PUSH-LOCK (BROWN LOCK CASE)
- FPLMN** MATT NICKEL BUTTON MINI PUSH-LOCK (BROWN LOCK CASE)



NEW MINI PUSH-LOCKS



Use colour code after product code replace + with colour. Colours: BG = BEIGE, BR = BROWN, K = BLACK, W = WHITE, OW = CREAM.



Each door should be fitted with 2 silicon buffers to silence the closing action and eliminate vibration to protect the door and cabinet from damage.
FFSDB50 SILICONE DOOR BUFFERS PK 50



FF6823..
 Wardrobe rail support for 15mm tube



B6832 ADJUSTABLE TURN BUTTON CATCH WHITE 25 – 45MM RATCHET ACTION LOCK

B6832 The adjustable turn button will retain a shower door or other objects between heights of 25mm x 45mm. The ratchet mechanism is similar that of a cable tie and once pushed down over the barbs will lock the retainer. To release the mechanism you simply turn the retainer 90 degree and slide the collar out, turn it 90 degree over the door and push down to ratchet and lock.



FFRCSINW
 SINGLE ROLLER CATCH WHITE



FFMG1W MAGNETIC CATCH WHITE
FFMG2B MAGNETIC CATCH BROWN

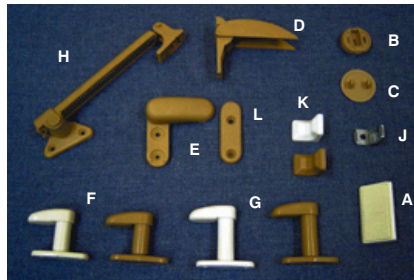


FPORPT

CARRIER BAG BIN HOLDER

Wall mounting bracket to use shopping bags as a waste bin. Arms fold out for good access and fold closed to retain contents in bag. Fixed to wall or inside cupboard door by 2 screws. 300mm Long protrudes 15mm when closed.

FPORPT Plastic bag waste bin holder



- A **B6306+** Corner joint double (W, BG)
- B **B6308BG** round knock down panel fitting (BG)
- C **B6309BG** round kd panel fitting cap (BG)
- D **B6806+** sink top flap retainer (BG, W)
- E **B6834BG** turn button catch (BG)
- B6835BG** 10mm spacer for B6834BG
- L **B6836BG** Beige striker for B6834BG
- F **B6840+** collared turn button c/w base 26 mm (BG, W)
- G **B6841+** collared turn button c/w base 35 mm (BG, W)
- G **B6876+** collared turn button c/w base 45 mm (BG, W)
- H **B6862BG** adjustable locker stay single (BG only)
- J **B8043** 1 x 1 diecast zinc bracket pack of 10
- K **B8044+** 1 x 1 bracket cover pack of 10 (BG W)

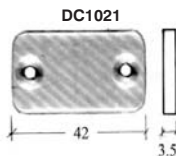
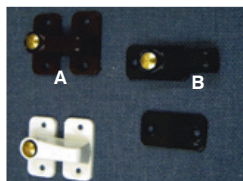


FFRCW Twin roller V catch white



FFMLB Mini Latch plated with brown keep

FFMLW Mini Latch plated with white keep

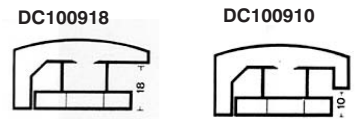


Turn buckle catches DC1005 shown with DC1021 dimensioned right, is a neat twist catch for retaining internal doors & flaps etc. Brown, Black & White.

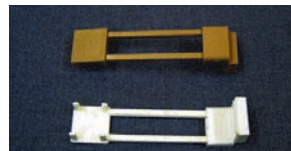
- A **DC1005** Turn buckle catch (BR, BK, W)
- B **DC1021** Plate for DC1005 catch (BR, BK, W)

Heavy duty turn buckle catch with support leg Black

- DC100918** Turn buckle catch 18 mm
- DC100910** Turn buckle catch 10 mm
- DC1025** Plate for DC1009++ catch.



DC719W Sprung door catch (W)



B6804+ Adjustable sink flap retainer (BG, W)



MAGAZINE NET

A neat storage pocket for books & papers etc. 215 mm high x 315 mm wide.

Colour: Black

BMAGNT MAGAZINE NET BLACK

CONTINENTAL STYLE DOOR CATCHES

Designed for installation in double faced lightweight ply for simple access doors.

Square door catch for 45mm dia hole fits 12 to 20mm thick panel.

DH105B BROWN (A)

DH106G GREY (B)

Profile 2000 Square door catch fits 50 X 50mm cut out for 15mm ply

DH430LG LIGHT GREY (C)



- B6813+** Table stowage bracket (BG,G,OW,W)
- B6814+** 5mm spacer for B6813 (BG,G,OW,W)
- B6815+** 10mm spacer for B6813 (OW,)



Neat and effective press to open drawer catch

DH2029N Slim drawer catch colour matt silver

DH2037 Catch plate for DH2029



BARKEEPER CUPBOARD CONTENTS RETAINERS

We have all experienced opening cupboards after traveling to have the contents fall out. Particularly cupboard above the hob where items falling out can easily break glass hob top or put a hole in the work surface. It happened to us so we came up with a solution.

New Barkeepers are designed to easily adjust to fit tightly any cupboard shelf to prevent the contents launching out at you when opening the door.

The Barkeepers come in several widths and coating finishes. They are easily and quickly adjusted to fit tightly into width or height of cupboard, while being easily removed to gain access. Simply squeeze adjustable tube together to release, rubber end caps ensure the Barkeeper grips securely into cupboard to retain contents.

Manufactured from Aluminium or Steel to ensure robustness & plastic coated in white or attractive wood effects.

BARKEEPER

- FBK11300 BARKEEPER WHITE 25-44 cm
- FBK11310 BARKEEPER WHITE 41-71 cm
- FBK11400 BARKEEPER OAK 25-44 cm
- FBK11410 BARKEEPER OAK 41-71 cm
- FBK11500 BARKEEPER PINE 25-44 cm
- FBK11510 BARKEEPER PINE 41-71 cm

- FBK11321 BARKEEPER XXL ALU WHITE 48-80 cm



WHITE



OAK



PINE



NEW TOP LOCKER DOOR SUPPORT STAYS

New high quality metal support stays for upward opening top locker doors. The stays function like car tailgate rams but use a compressed spring within its casting to support the door. The 150mm size is the most popular in the range. Larger sizes suit the larger overhead locker door.

- FTLSTM150 LOCKER STAY 150 mm MOST POPULAR SIZE
- FTLSTM200 LOCKER STAY 200 mm
- FTLSTM250 LOCKER STAY 250 mm

TOP LOCKER DOOR SUPPORT STAYS

A SIMPLE SPRUNG STAY WITH ACETAL BODY. SPRING IS COMPRESSED BY ACTION OF OPENING OR CLOSING DOOR

- FTLSTP100 ACETAL SPRUNG LOCKER STAY 100 mm
- FTLSTP120 ACETAL SPRUNG LOCKER STAY 120 mm



FTLSTP100



FTLSTP120

TOP LOCKER HINGE

Hinge specially designed for top locker doors. Hinge has built in sprung snap action to hold open locker door without the need for installation of side stays.

- FTLH1 Top Locker Hinge



FTLH1



FPORV8083

SIMPLE LCD TV MOUNTS

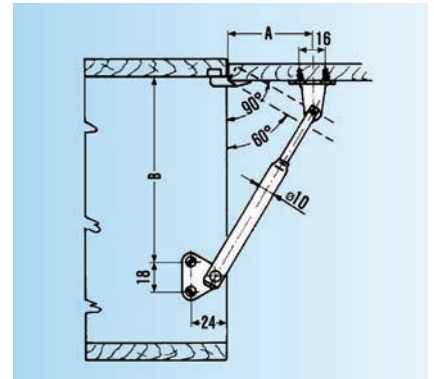
Fixed TV mount slides onto wall bracket allowing easy stowing of TV if required. Max load = 10KG

- FPORV8082 LCDTV fixed wall mount
- FPORV8083 LCDTV swivel wall mount

- FPORV8082



Rear view showing wall mounted bracket, allowing easy removal from wall



	mm 150	mm 200	mm 250
	60°	60°	60°
A mm	85	115	150
B mm	155	235	300
	90°	90°	90°
A mm	50	70	85
B mm	120	190	245

NEW TOP LOCKER GAS SPRING SUPPORT

Gas spring specially designed for top locker doors. Supplied with several alternative end knuckle fittings to suit optimum fitting position. Struts have force ratings (60N is 60 Newton's force) as printed to their side to identify load capacity. As used by many continental manufacturers.

- FTLS205460 60 Newton gas spring locker support stay
- FTLS205480 80 Newton gas spring locker support stay



FTLS205460

NARROW SLIDE OUT LCD TV SUPPORT

New narrow slide out TV support is ideal to install in narrow cupboards. Support arm rotates and inclines to allow ideal positioning for viewing. Narrow design and rotating arm allows TV to be stowed narrow way into cupboard allowing more room for DVD, satellite, or Freeview boxes. Cassette slide extends 40cm. TV capacity 20kg.

- FPORV6101



ADJUSTABLE LCD TV MOUNT

Friction hinge at base of arm. TV mounting plate on arm is adjustable in height. Arm length 270mm max. Universal LCD TV mounting plate adjustment -40mm.

Can be fitted to conventional TV swivel to upgrade to an LCD TV

- FPORVTL01



FPORVTL01



TV BRACKETS & SWIVELS



LCD TV / MONITOR WALL SLIDE MOUNT

New specially designed LCD slide out TV swivel. Mounting plate is made to international standard to be universal fit on LCD TV'S. High quality construction powder coated steel in light grey colour. 3 X High quality ball slide construction for smooth movement in and out. Safety catch locks unit in stowed position when TV support is pushed back into closed position.



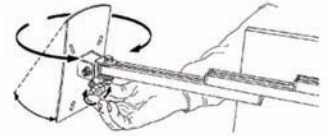
LCD TV / MONITOR SLIDE OUT SWIVEL

New specially designed LCD slide out TV swivel. Mounting plate is made to international standard to be universal fit on LCD TV'S. High quality construction powder coated steel in light grey colour. High quality ball slide construction for smooth movement in and out. Safety catch locks unit in stowed position when TV support is pushed back into closed position.

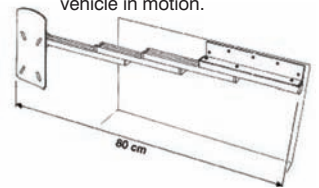


FPORTV6

Our Lightweight TV mounting fixes to sidewall of TV cabinet or suitable wall surface. The telescopic multi leaf slide extends from 350mm to 800mm. This can easily be shortened by removing or shortening the runners. LCD TV mounting plate swivels all the way around to enable TV to be viewed from either side. Mounting also has vertical adjustment for angle of viewing. Manufactured from anodized Aluminium profiles for strength while being light in weight. **FPTV810** Telescopic LCD TV Mount for smaller LCD TV'S



Not to be used extended while vehicle in motion.



FPORTV2/3

TELEVISION / MONITOR SLIDE OUT SWIVEL

High quality ball slide construction for smooth movement in and out. Powder coated steel in light grey colour. Two sizes of extension are available. Safety catch locks unit in stowed position when TV support is pushed back into closed position. These TV swivels can be adapted to take LCD TV's. Dimensions A width, B depth closed, C depth open.

FPORTV3 A: 290 B: 300 C: 623 FPORTV2 A: 265 B: 250 C: 458

FPORTV3 TV swivel slide out 29 x 29 cm

FPORTV2 TV swivel slide out 25 x 26 cm

TELEVISION / MONITOR SLIDE OUT SWIVEL SUPPORT

Sizes: 331 mm (13") wide, 330 mm (13") deep and extends 267 mm (10 1/2") approx. Colour finish: black plated.

FPORTV TV / monitor slide out swivel mechanism

NEW UNDER CABINET FLIP DOWN LCD SCREEN MOUNT

Designed for LCD / TFT Screens up to 17" with either 50mm, 75mm or 100mm VESA® fixings. Max Screen Weight: 10Kg. Simple slide-out and flip-down action, 360° swivel and tilt function allow for optimum viewing, Max Screen size 17" (subject to space allowed), Pivot: 360 degree's, Tilt: +/- 15 degree's.

FPORTV7525SG FLIP DOWN LCD SCREEN MOUNT SILVER GREY

NEW LCD TV / MONITOR MOUNTING BRACKET

LCD wall-mounting bracket mounts the screen only 20mm from the wall its ideal for wall mounting computer monitors in mobile offices, hospitality units and TV broadcast units. Screen size from 10" to 23" and weight up to 20Kg.

FPORTV7510K LCD FIXED WALL MOUNT BLACK

FPORTV7510SG LCD FIXED WALL MOUNT SILVER GREY

NEW LCD TV / MONITOR TILTING WALL MOUNTING

This mount permits the wall-mounted installation of LCD TV'S in Motorhomes, Caravans & Specialist Vehicles. Screen size from 10" to 23" and weight up to 20Kg, mount has a tilt range of 17° (this may be limited due to the size of your screen) and mounts the screen only 55mm from the wall. Unique security screws with long hex key help prevent theft.

FPORTV7511K LCD TILTING WALL MOUNT BLACK

FPORTV7511SG LCD TILTING WALL MOUNT SILVER GREY

NEW LCD TV / MONITOR WALL ARM MOUNT

New design LCD TV wall bracket. Mounting plate to fit LCD TV'S from 10" to 23" and weight up to 15Kg. Arm that allows the screen to be mounted only 75mm from the wall or extended up to 280mm. Two swivel points - one at wall for 180°, one at the screen of 240° & a tilt function of up to 17° (this may be limited due to the size of your screen).

FPORTV7512C SINGLE ARM MOUNT CHROME (LTD STOCK)

FPORTV7512K SINGLE ARM MOUNT BLACK

NEW SWING OUT LONG TWIN ARM LCD MOUNT

Designed for LCD Screens from 10" to 23" and weight up to 15Kg. The twin arm design allows full flexibility, it can mount the screen flat to the wall or extend out to up to 450mm from the wall. 3swivel points - one at the wall for 180°, one in the middle of 240° and one at the screen of 240° also has a tilt function of up to +/- 17°.

FPORTV7513C TWIN ARM MOUNT CHROME (LTD STOCK)

FPORTV7513K TWIN ARM MOUNT BLACK

NEW LCD TV / MONITOR PIVOT WALL MOUNTING

Pivoting wall mount for screen size from 10" to 23" and weight up to 20Kg, mount has a tilt range of 17° & 180° swivel (subject to size of screen) and mounts the screen only 95mm from the wall.

FPORTV7518K LCD PIVOT WALL MOUNT BLACK

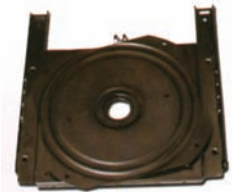
FPORTV7518SG LCD PIVOT WALL MOUNT SILVER GREY

LCD TV / MONITOR SWING DOWN CEILING MOUNT

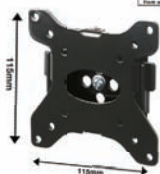
New design LCD TV swing down bracket with lock to stow TV up at ceiling. Mounting plate is made to international standard to be universal fit on LCD TV'S. High quality powder coated steel in light grey colour.

FPORTV13 LCD TV ceiling mount

FPORTV7525SG

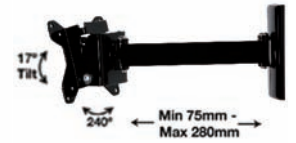
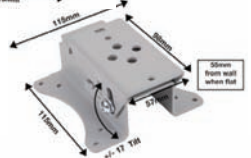


FPORTV



FPORTV7510

FPORTV7511

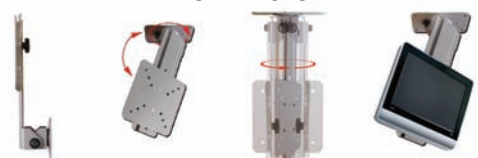


FPORTV7512

FPORTV7518



FPORTV7513



FPORTV13

SEE NEXT PAGE FOR MORE TV MOUNTS

WE NOW OFFER INSTALLATION SERVICE



0844 414 2324



0844 414 2425