

STABILISING JACKS, ROOF LADDERS, EXHAUST FINISHERS, STEPS & LEVELLING BLOCKS



Exterior

The Stabilising Jacks are designed for use with Caravans, Motorhomes, Trailers and Specialist Vehicles requiring a steady load capacity of 450 kg per jack. Fashioned in steel and protected by black powder coating or galvanised, this stabilising jacks differ from the traditional scissors design and affords notable practical advantages in operation. Just a few seconds are needed to move the jacks into the operating or the stowed traveling position.

FITTING INSTRUCTIONS

- * The jacks can be bolted (preferred method) or welded. Bolt the mounting flange to a suitable surface using self-locking nuts and bolts. In selecting a suitable position always take into consideration the 450-kg load capacity per jack.
- * In some situations it may prove necessary to fabricate a bracket off the chassis/body to mount the jacks. In this case make sure it is sufficient to take the 450-kg per jack loading.
- * NB : in the stowed position, the jacks require a minimum inboard clearance of 350mm for model 45, and 450mm for model 55 (see fig 2).

DIRECTIONS FOR USE

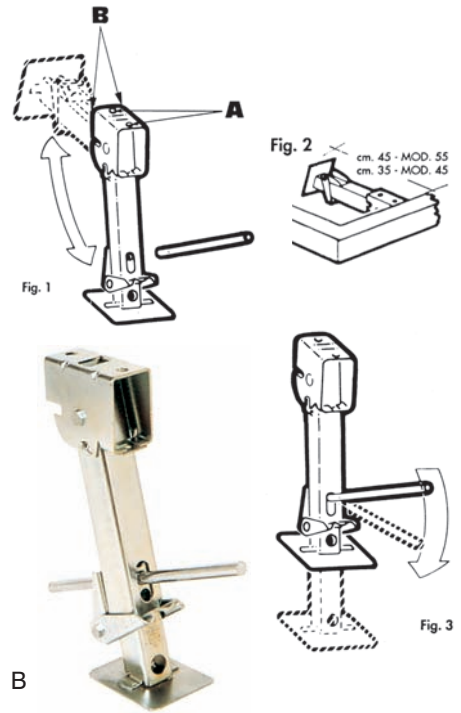
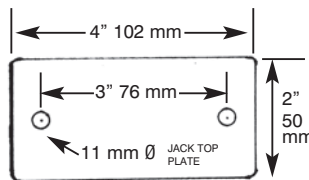
- * The jacks have two detent positions, stowing horizontally for traveling and angled downwards for use.
- * Simply pull the leg to the point of freeing the spring-loaded catch from the detent slot. Lock the leg in the jacking position detent.
- * Lower the leg initially by holding down the locking tab and allowing inner jack tube to slide out to rest on the ground.
- * Insert the jack rod through the front socket (fig3), ENSURING THAT THE END LOCATES IN THE SOCKET IN THE REAR WALL OF THE LEG, and apply downward hand pressure, with little effort the inner leg will extend down. Repeat the action until the vehicle or trailer is stable.
- * To release the jacks, apply pressure to the locking tab, which can be loosened by tapping smartly with the rod if need be. The leg can now be retracted by hand without difficulty and swung upwards to lock automatically in the stowed position (fig 2)

TECHNICAL DATA

| | |
|------------------------------|-----------------------|
| Material: | Heavy gauge steel |
| Protection: | Zinc plated |
| Jack pad footprint: | 25cm 2 per jack |
| Adjustment: | MDL 45 290mm to 450mm |
| | MDL 55 390mm to 550mm |
| Stabilising capacity: | 450kg per jack static |
| Jacking capacity: | 300kg per jack |

The jacks are available in pairs, packaged as a kit with one jacking rod.

| | |
|----------------|---------------------------|
| ATSJ45G | MD 45 jack kit galvanised |
| ATSJ55G | MD 55 jack kit galvanised |



ALUMINIUM FOLDING EXTERIOR ROOF ACCESS LADDERS

Supplied with four loose fixing brackets to fix to your choice (shown in photograph affixed for clarity). Folding stirrup on lower folding section to distance ladder away from bodywork for safe climbing. Ladder side rails extended above top rung to provide hand grip loop for safety while getting on and off the roof. Product may differ to picture.

- BLF3210** Folding access ladder 9 steps & fixing brackets
- BLFLOCK** Security lock for BLF3210

EXHAUST END FINISHERS

Keeps your motorhome cleaner from exhaust soot deposits. While displaying a smart appearance to exhaust end. The finisher have been specially developed to direct exhaust exit down through base of finisher, while appearing to leave a normal round end to the exhaust. As no exhaust gases leave through this end it remains clean of black deposits, and so do your sidewalls. Gloss chrome finish adds to appearance, new aluminised finish will keep appearance longer than chrome plated (more corrosion-proof). L= length of finisher, ID= internal diameter, OD= outside diameter. All sizes mm.

| | |
|------------------|--|
| EXH103D70 | Finisher chromed straight exit L 360 ID 67 OD 70 |
| EXH180D60 | Finisher chromed straight exit L 256 ID 57 OD 60 |
| EXH183D63 | Finisher chromed straight exit L 255 ID 60 OD 63 |
| EXH181D60 | Finisher chromed downward exit L 256 ID 57 OD 60 |
| EXH100D70 | Finisher chromed downward exit L 213 ID 67 OD 70 |
| EXH280D70 | Finisher aluminised downward exit L 213 ID 67 OD 70 |
| EXH101D70 | Finisher chromed downward exit L 258 ID 64 OD 70 |
| EXH281D70 | Finisher aluminised downward exit L 258 ID 64 OD 70 |
| EXH282D76 | Finisher aluminised downward exit L 206 ID 73 OD 76/70 |
| EXH283D79 | Finisher aluminised downward exit L 204 ID 76 OD 79/70 |
| EXH284D70 | Finisher aluminised downward exit L 290 ID 67 OD 70 |
| EXH285D70 | Finisher aluminised downward exit L 260 ID 67 OD 70 |

| | |
|-------------------------------------|---|
| Boxer/Ducato/Relay 1994-2002 | EXH100D70, EXH280D70, EXH284D70, EXH285D70. |
| Boxer/Ducato/Relay 2002-on | With rim cut off EXH101D70, EXH281D70. |
| Ducato 14 2002 ON | Without rim cut off EXH282D76. |
| Ducato 18 2002 ON | Without rim cut off EXH283D79. |
| Daily, Sprinter/VW LT 97 on | With rim cut off EXH100D70, EXH280D70, EXH284D70 & EXH285D70. |

NEW PLASTIC PORTABLE ENTRANCE STEP

New portable plastic entrance steps for caravans & motorhomes produced in high grade grey plastic. Produced in two versions. **ESP603G** our standard step has a safe load of 150 kg and dimensions of 410mm x 270mm x 220mm. **ESP601G** our OEM spec step is designed to meet EN1645 - 1646 for supply by manufacturers with original equipment. The step has a greater safe load of 250kg and larger dimensions of 450mm x 350mm x 250mm.

| | |
|----------------|-------------------------------------|
| ESP601G | ENTRANCE STEP PLASTIC GREY EN SPEC |
| ESP603G | ENTRANCE STEP PLASTIC GREY STANDARD |

LEVELLING BLOCK SETS

Level blocks are designed to level up your vehicle on uneven pitches. Simply place the leveling chocks in front of the wheel you wish to raise and drive up the ramp slowly. Made of strong plastic to give a working load of 3000kg, they are easy to clean and will not corrode.

| | |
|---------------|--|
| LVC070 | LEVEL CHOCKS STRONG 460MM X 170MM X 80MM (A) |
| LVC071 | LEVEL CHOCKS SUPERSTRONG 500MM X 200MM X 100MM (B) |
| LVC072 | LEVEL CHOCKS TRIO THREE LEVELS 535MM X 160MM X 120MM (C) |
| LVC073 | LEVEL CHOCKS MAXI WIDE CHOCKS 600MM X 300MM X 120MM (D) |

